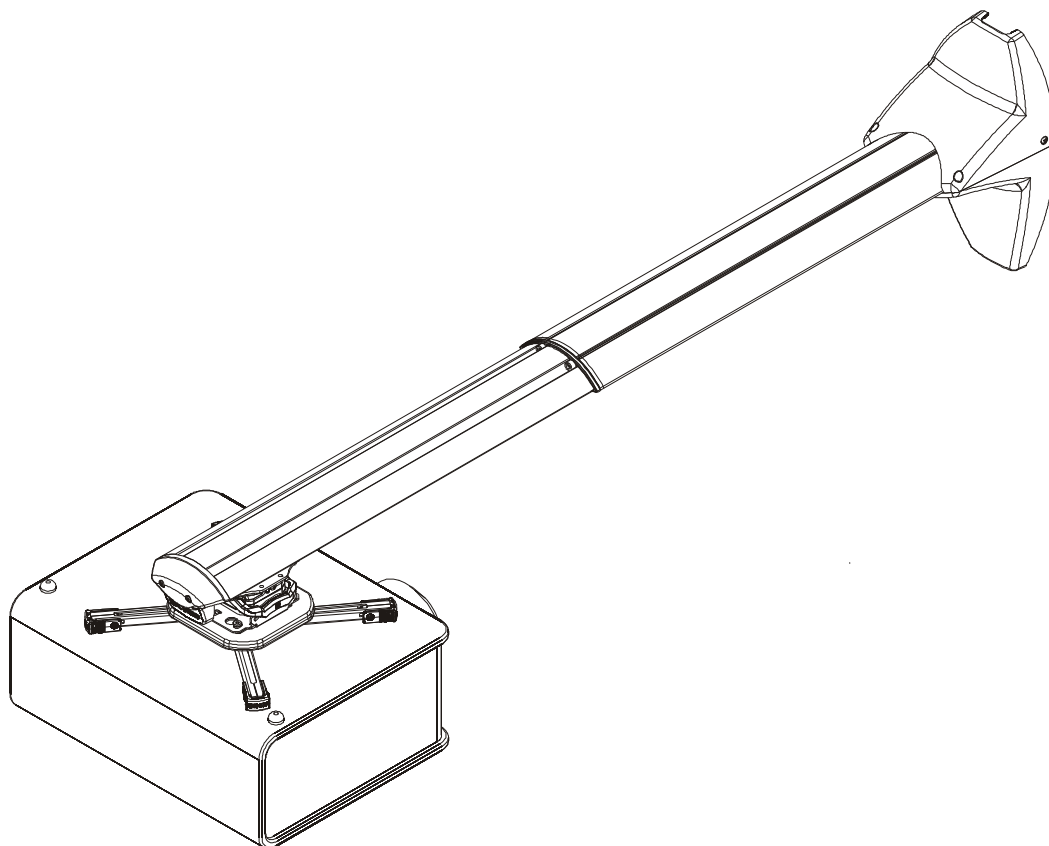


---

# INSTALLATION INSTRUCTIONS

---



---

**Single Stud Short Throw Wall Mount**

---

---

***InFocus***

**PRJ-WALLKIT-11**

---

**DISCLAIMER**

InFocus and its affiliated corporations and subsidiaries (collectively "InFocus"), intend to make this manual accurate and complete. However, InFocus makes no claim that the information contained herein covers all details, conditions or variations, nor does it provide for every possible contingency in connection with the installation or use of this product. The information contained in this document is subject to change without notice or obligation of any kind. InFocus makes no representation of warranty, expressed or implied, regarding the information contained herein. InFocus assumes no responsibility for accuracy, completeness or sufficiency of the information contained in this document.

**! IMPORTANT SAFETY INSTRUCTIONS**

**! WARNING:** A WARNING alerts you to the possibility of serious injury or death if you do not follow the instructions.

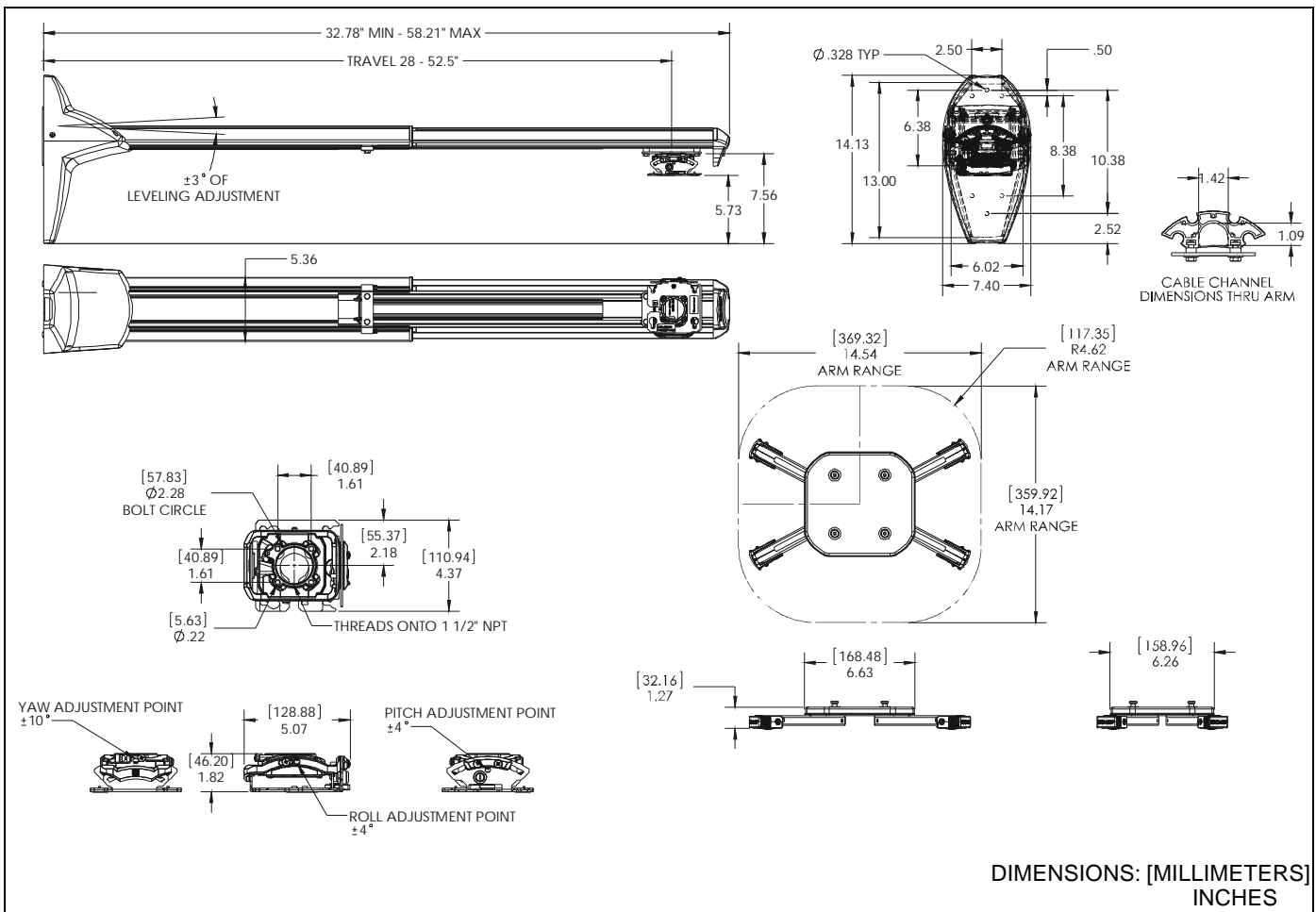
**! CAUTION:** A CAUTION alerts you to the possibility of damage or destruction of equipment if you do not follow the corresponding instructions.

**! WARNING:** Failure to read, thoroughly understand, and follow all instructions can result in serious personal injury, damage to equipment, or voiding of factory warranty! It is the installer's responsibility to make sure all components are properly assembled and installed using the instructions provided.

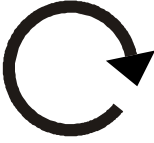




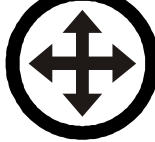






**! WARNING:** Failure to provide adequate structural strength for this component can result in serious personal injury or damage to equipment! It is the installer's responsibility to make sure the structure to which this component is attached can support five times the combined weight of all equipment. Reinforce the structure as required before installing the component. The wall to which the mount is being attached may have a maximum drywall thickness of 5/8" (1.6cm). Do not install drywall anchors into the seam between drywall pieces.

**! WARNING:** Exceeding the weight capacity can result in serious personal injury or damage to equipment! It is the installer's responsibility to make sure the combined weight of all components attached to the short throw projector mounts up to (and including) the projector does not exceed 25 lbs (11.34 kg) for the PRJ-WALLKIT-11.

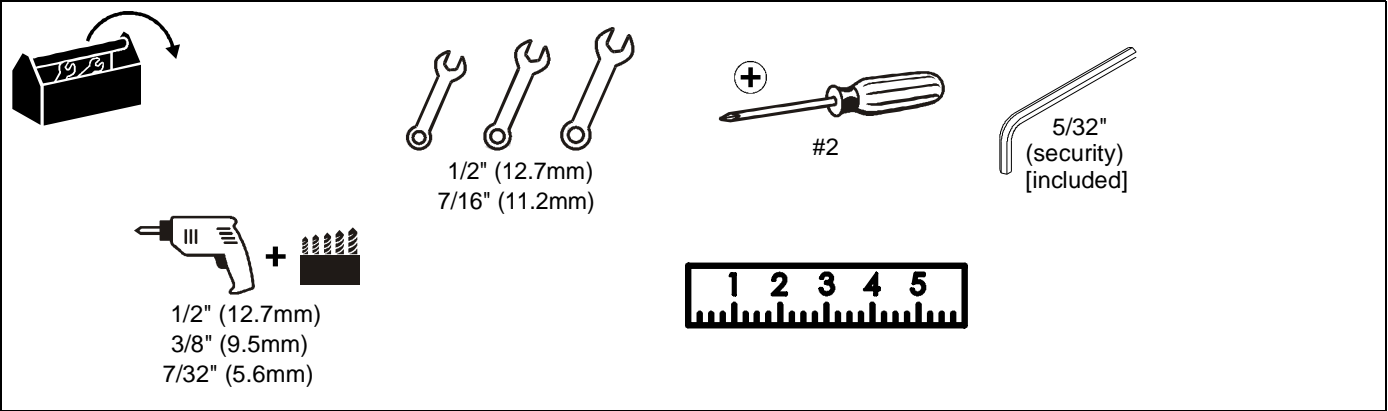
**DIMENSIONS**



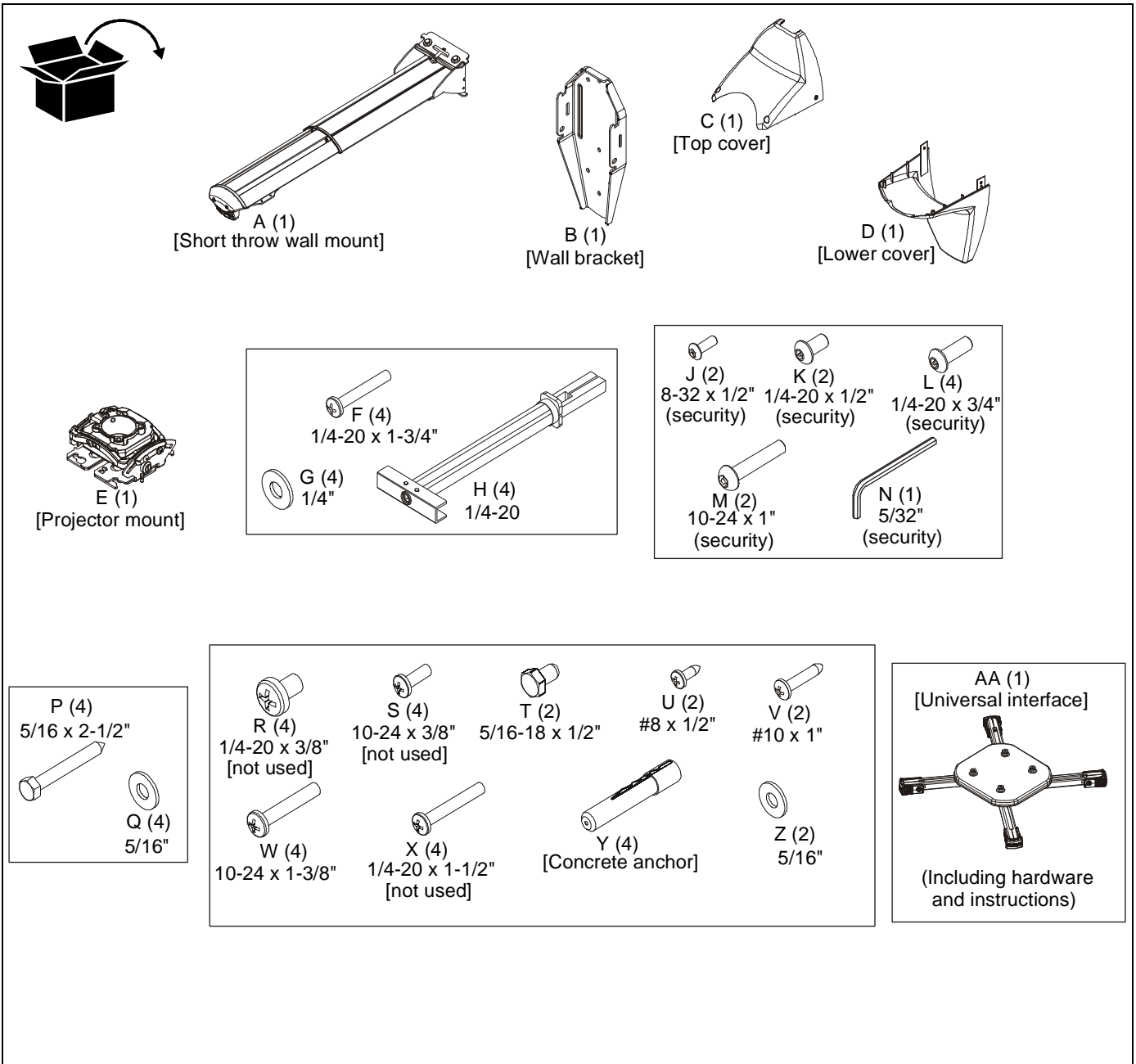
**LEGEND**

	<p><b>Tighten Fastener</b></p> <p>Apretar elemento de fijación</p> <p>Befestigungsteil festziehen</p> <p>Apertar fixador</p> <p>Serrare il fissaggio</p> <p>Bevestiging vastdraaien</p> <p>Serrez les fixations</p>		<p><b>Pencil Mark</b></p> <p>Marcar con lápiz</p> <p>Stiftmarkierung</p> <p>Marcar com lápis</p> <p>Segno a matita</p> <p>Potloodmerkteken</p> <p>Marquage au crayon</p>
	<p><b>Loosen Fastener</b></p> <p>Aflojar elemento de fijación</p> <p>Befestigungsteil lösen</p> <p>Desapertar fixador</p> <p>Allentare il fissaggio</p> <p>Bevestiging losdraaien</p> <p>Desserrez les fixations</p>		<p><b>Drill Hole</b></p> <p>Perforar</p> <p>Bohrloch</p> <p>Fazer furo</p> <p>Praticare un foro</p> <p>Gat boren</p> <p>Percez un trou</p>
	<p><b>Phillips Screwdriver</b></p> <p>Destornillador Phillips</p> <p>Kreuzschlitzschraubendreher</p> <p>Chave de fendas Phillips</p> <p>Cacciavite a stella</p> <p>Kruiskopschroevendraaier</p> <p>Tournevis à pointe cruciforme</p>		<p><b>Adjust</b></p> <p>Ajustar</p> <p>Einstellen</p> <p>Ajustar</p> <p>Regolare</p> <p>Afstellen</p> <p>Ajuster</p>
	<p><b>Open-Ended Wrench</b></p> <p>Llave de boca</p> <p>Gabelschlüssel</p> <p>Chave de bocas</p> <p>Chiave a punte aperte</p> <p>Steeksleutel</p> <p>Clé à fourche</p>		<p><b>Remove</b></p> <p>Quitar</p> <p>Entfernen</p> <p>Remover</p> <p>Rimuovere</p> <p>Verwijderen</p> <p>Retirez</p>
	<p><b>By Hand</b></p> <p>A mano</p> <p>Von Hand</p> <p>Com a mão</p> <p>A mano</p> <p>Met de hand</p> <p>À la main</p>		<p><b>Optional</b></p> <p>Opcional</p> <p>Optional</p> <p>Opcional</p> <p>Opzionale</p> <p>Optie</p> <p>En option</p>
	<p><b>Hex-Head Wrench</b></p> <p>Llave de cabeza hexagonal</p> <p>Sechskantschlüssel</p> <p>Chave de cabeça sextavada</p> <p>Chiave esagonale</p> <p>Zeskantsleutel</p> <p>Clé à tête hexagonale</p>		<p><b>Security Wrench</b></p> <p>Llave de seguridad</p> <p>Sicherheitsschlüssel</p> <p>Chave de segurança</p> <p>Chiave di sicurezza</p> <p>Veiligheidsleutel</p> <p>Clé de sécurité</p>

**TOOLS REQUIRED FOR INSTALLATION**



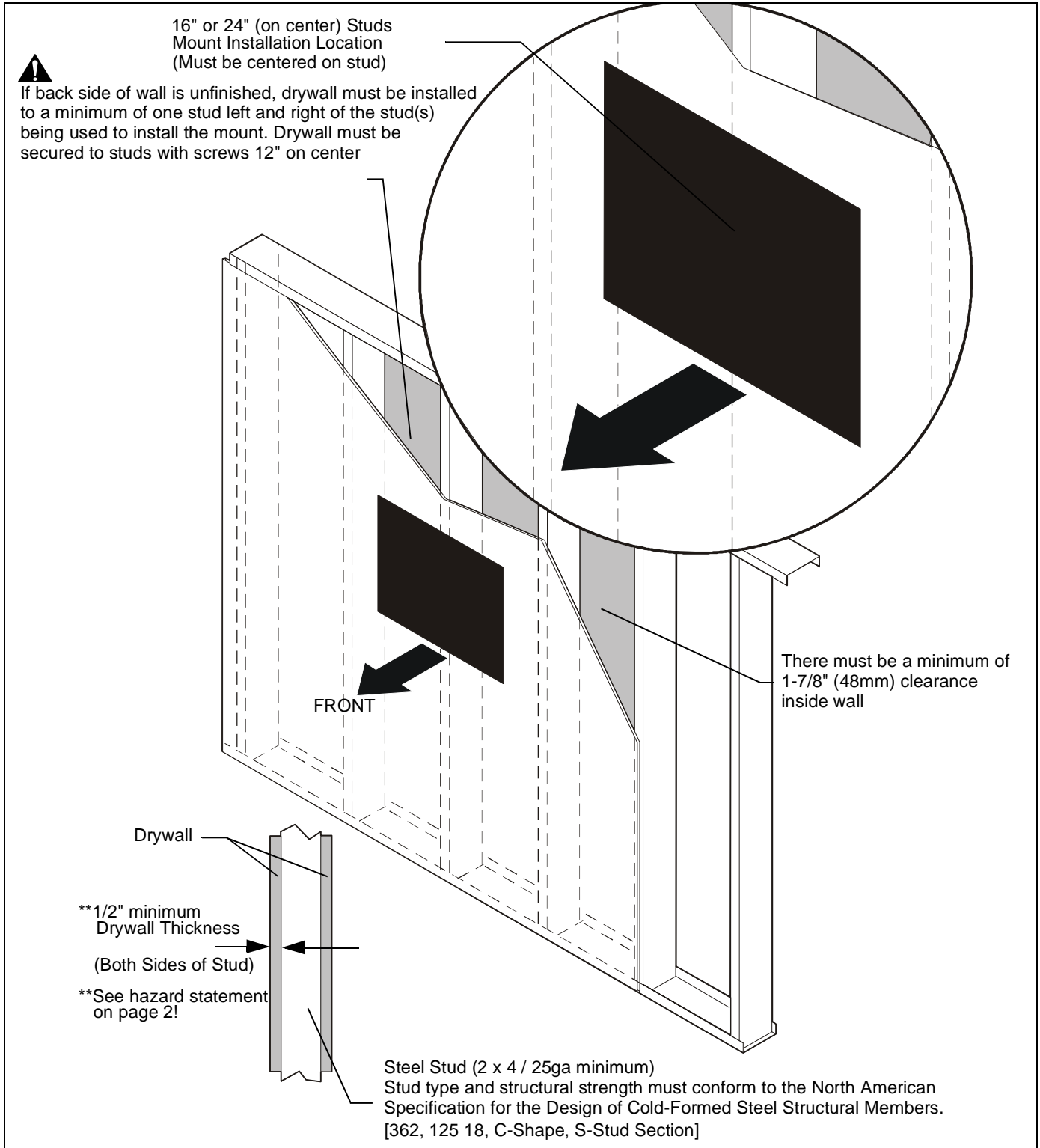
**PARTS**



**Site Requirements**



**WARNING:** IMPROPER INSTALLATION CAN LEAD TO EQUIPMENT FALLING CAUSING SERIOUS PERSONAL INJURY OR DAMAGE TO EQUIPMENT! The figure below identifies the minimum requirements for installation of display mounts onto a steel stud structure. If the structure or its components do not meet these requirements contact the mount manufacturer for specific instructions before attempting installation. It should also be noted that no other equipment should be mounted to the same stud.



## ASSEMBLY AND INSTALLATION

The single stud short throw wall mount can be mounted to concrete, concrete block, 2" x 4" wood studs or steel studs.

### Installing Mounting Bracket



**WARNING:** ELECTRICAL SHOCK HAZARD! CUTTING OR DRILLING INTO ELECTRICAL CORDS OR CABLES CAN CAUSE DEATH OR SERIOUS PERSONAL INJURY! ALWAYS make certain area behind mounting surface is free of electrical wires and cables before cutting, drilling, or installing fasteners.



**WARNING:** EXPLOSION AND FIRE HAZARD! CUTTING OR DRILLING INTO GAS PLUMBING CAN CAUSE DEATH OR SERIOUS PERSONAL INJURY! ALWAYS make certain area behind mounting surface is free of gas, water, waste, or any other plumbing before cutting, drilling, or installing fasteners.

### Mounting Wall Bracket

#### Concrete or Concrete Block

1. Determine mounting location on wall.
2. Using wall bracket (B) as a template, mark four holes at the outer holes in bracket. (See Figure 1)
3. Drill four 3/8" x 3-3/8" deep holes at marked locations in wall. (See Figure 1)

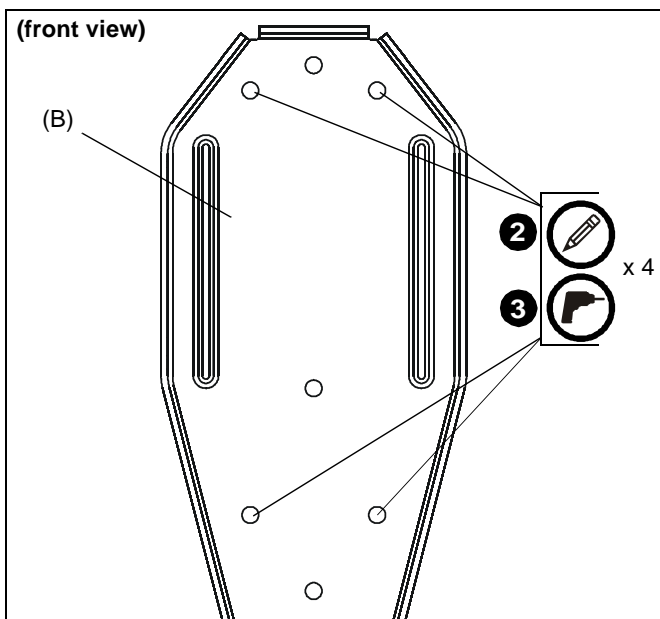


Figure 1

4. Install four concrete anchors (Y) into drilled holes. (See Figure 2)
5. Install four 5/16 x 2-1/2" hex head lag screws (P) through four 5/16" washers (Q), outer holes of wall bracket (B) and into concrete anchors (Y). (See Figure 2)

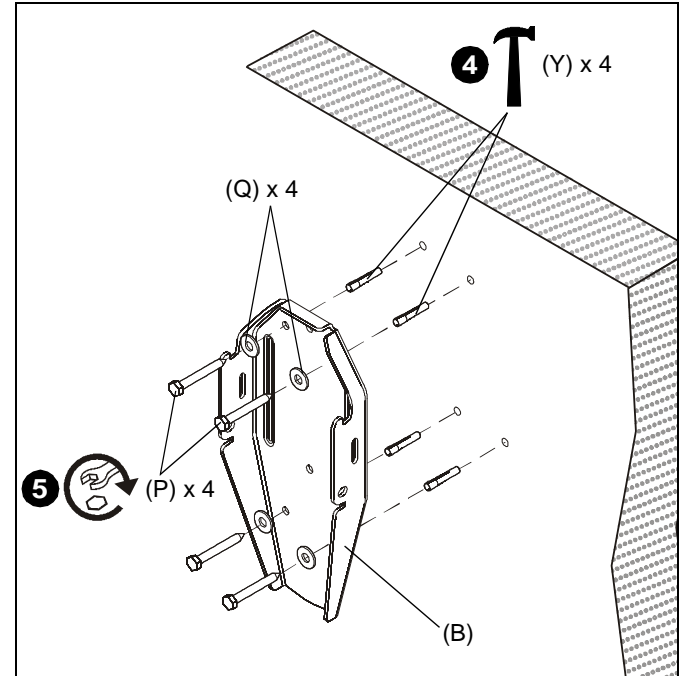


Figure 2

#### Wood Studs

1. Determine mounting location on wall. Use a stud finder to locate studs.
2. Line up inner three holes on wall bracket (B) with center of stud at desired mounting location. (See Figure 3)
3. Using wall bracket (B) as a template, mark three holes at inner holes in bracket. (See Figure 3)
4. Drill three 7/32" x 2-1/2" deep holes at locations marked in Step 3. (See Figure 3)

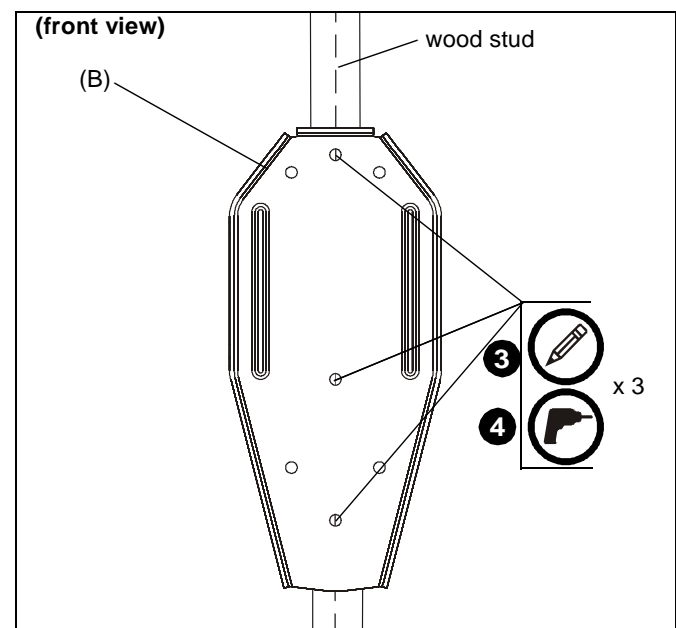


Figure 3

5. Install three 5/16 x 2-1/2" hex head lag screws (P) through three 5/16" washers (Q), inner holes of wall bracket (B) and into drilled holes. (See Figure 4)

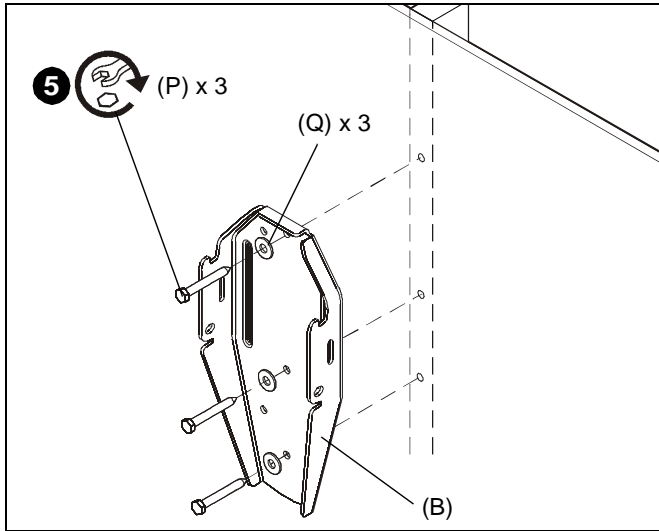


Figure 4

**Steel Studs**

**IMPORTANT !** : See **Site Requirements** section before proceeding with Steel Studs installation to ensure installation site meets requirements! The drywall must have a minimum thickness of 1/2"!

1. Determine mounting location on wall. Use stud finder to locate steel studs.
2. Line up inner three holes on wall bracket (B) with center of stud at desired mounting location. (See Figure 5)
3. Using wall bracket (B) as a template, mark three holes at inner three holes in bracket. (See Figure 5)
4. Drill three 1/2" holes at marked locations in wall. (See Figure 5)

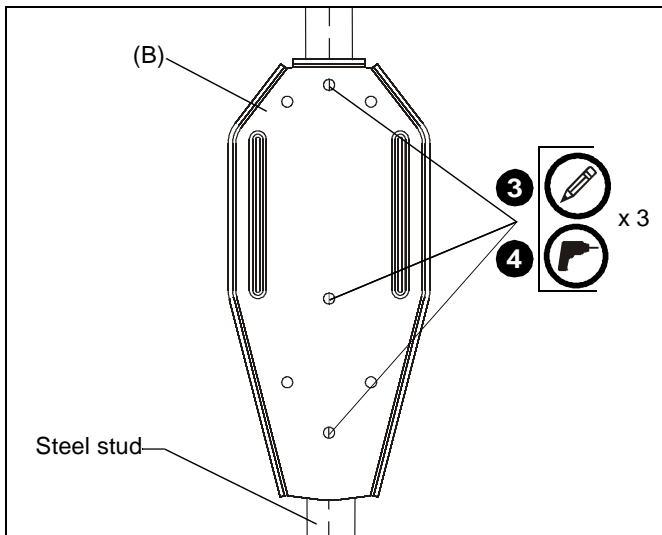


Figure 5

5. Hold metal channel on anchor (H) flat alongside plastic straps and slide channel through hole. (See Figure 6)

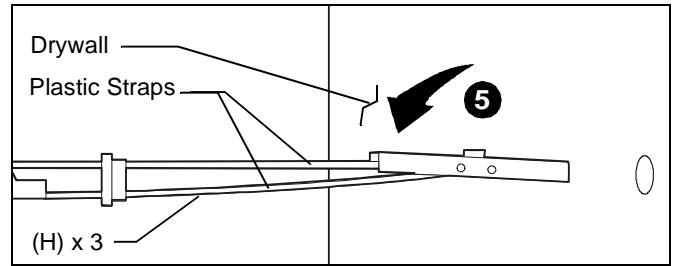


Figure 6

6. Holding plastic straps on anchor (H), pull anchor away from wall until channel rests flush behind wall making sure anchor channel is positioned vertically on stud. (See Figure 7)
7. Slide plastic cap on anchor (H) towards wall until flange of cap is flush with wall. (See Figure 7)

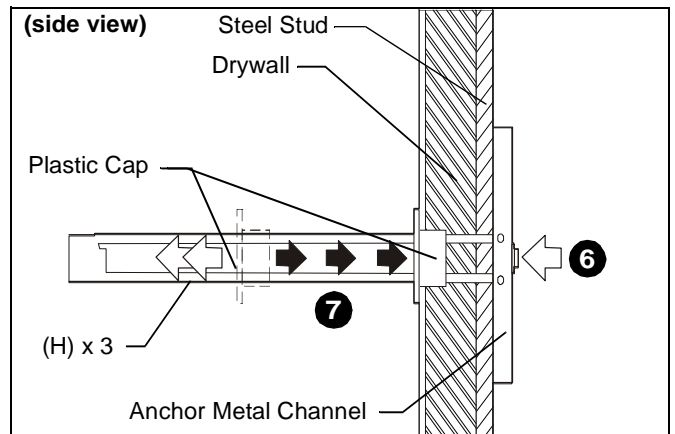


Figure 7

8. Snap off plastic straps on anchor at wall by pushing side to side, snapping off straps level with flange of plastic cap. (See Figure 8)
9. Repeat Steps 5 through 8 for each mounting hole.

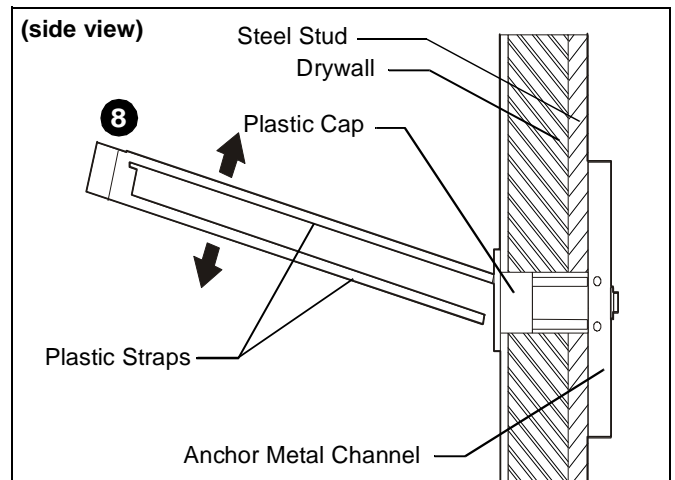


Figure 8

10. Place wall bracket (B) over anchors and align mounting holes in display mount with holes in anchors. (See Figure 9)
11. Insert 1/4-20 x 1-3/4" Phillips pan head screws (F) through 1/4" washer (G), corresponding mounting hole on wall bracket and into anchor (H) and tighten until flush against mount. DO NOT overtighten! (See Figure 9)
12. Repeat Steps 10 through 11 for remaining 2 mounting holes.



**WARNING:** IMPROPER INSTALLATION CAN LEAD TO EQUIPMENT FALLING CAUSING SERIOUS PERSONAL INJURY OR DAMAGE TO EQUIPMENT! Overtightening of mounting hardware can damage the steel studs. DO NOT overtighten mounting hardware!

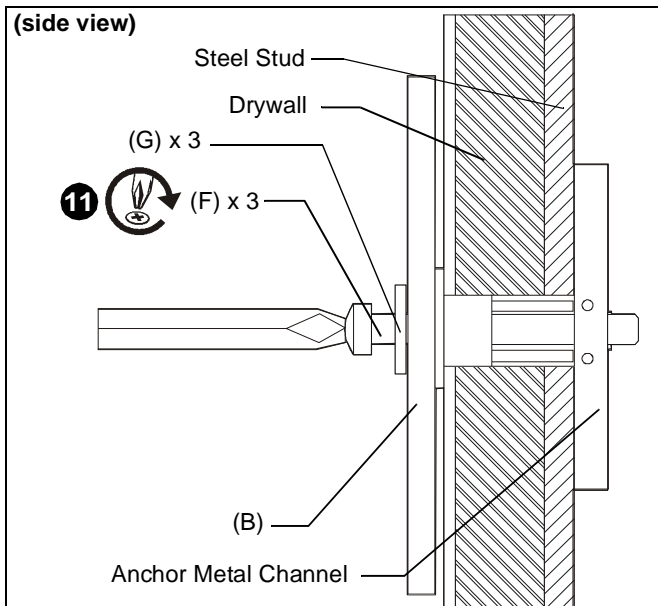


Figure 9

### Installation to Wall Bracket

1. Lift wall mount assembly (A) up to wall bracket (B) and hook upper plate over upper notches on bracket. (See Figure 10)
2. Slide lower plate into lower notches on bracket. (See Figure 10)

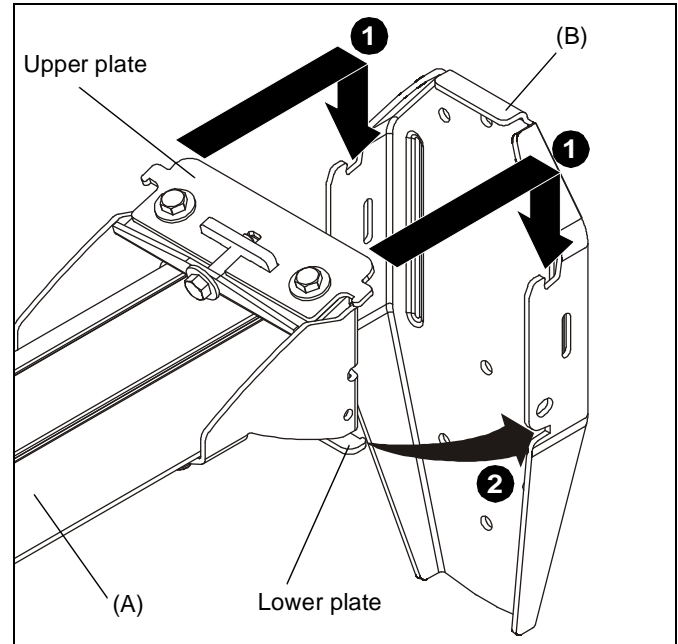


Figure 10

3. Fasten wall mount assembly (A) to wall bracket (B) using two 5/16-18 x 1/2" hex head cap screws (T) through two 5/16" washers (Z), the wall bracket and wall mount assembly. (See Figure 11)

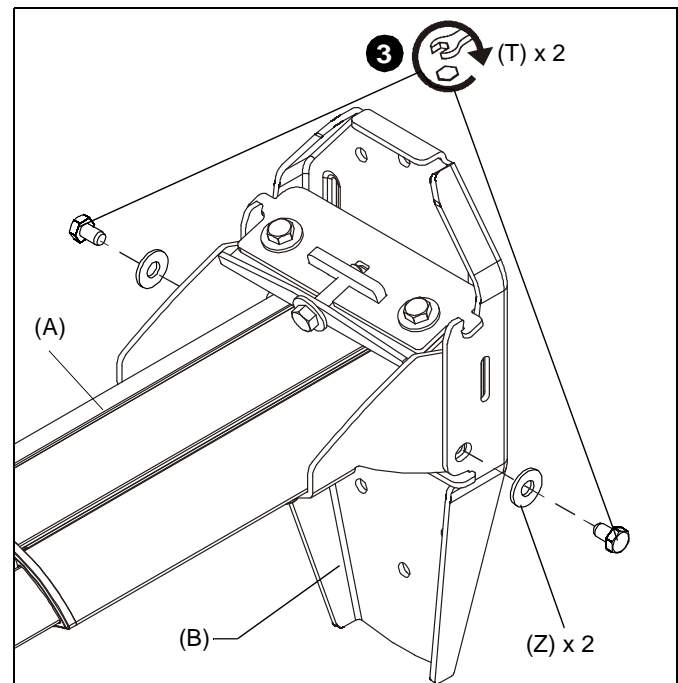


Figure 11



### Installing Mount Covers

1. Raise lower cover (D) up to wall mount assembly. (See Figure 12)

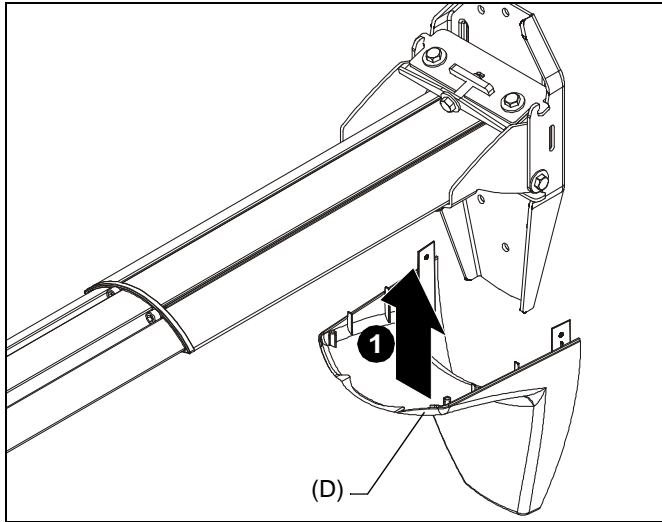


Figure 12

2. Lower top cover (C) onto wall mount assembly. (See Figure 13)
3. Install two #10 x 1" Phillips pan head tapping screws (V) through holes on sides of covers. (See Figure 13)
4. Install two #8 x 1/2" Phillips pan head tapping screws (U) into top of top cover (C). (See Figure 13)

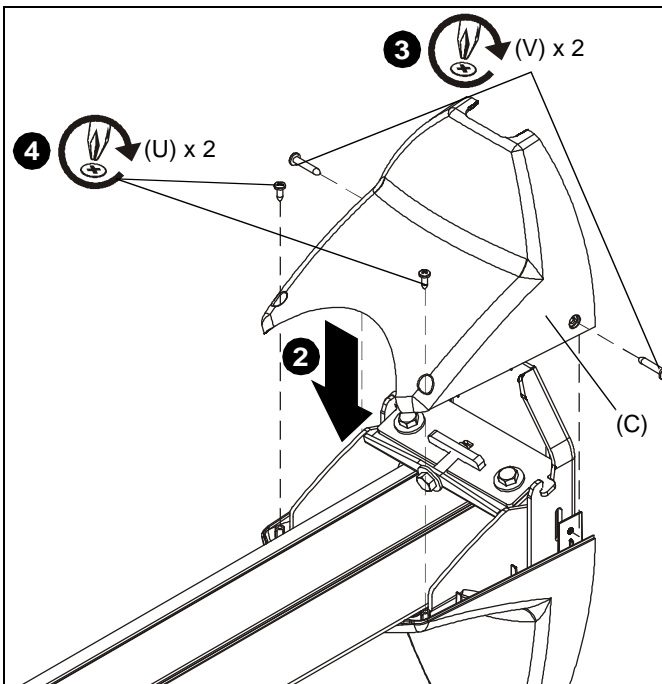


Figure 13

### Projector Installation



**WARNING:** Exceeding the weight capacity can result in serious personal injury or damage to equipment! It is the installer's responsibility to make sure the combined weight of all components attached to the short throw projector mounts up to (and including) the projector does not exceed 25 lbs (11.34 kg) for the PRJ-WALLKIT-11.

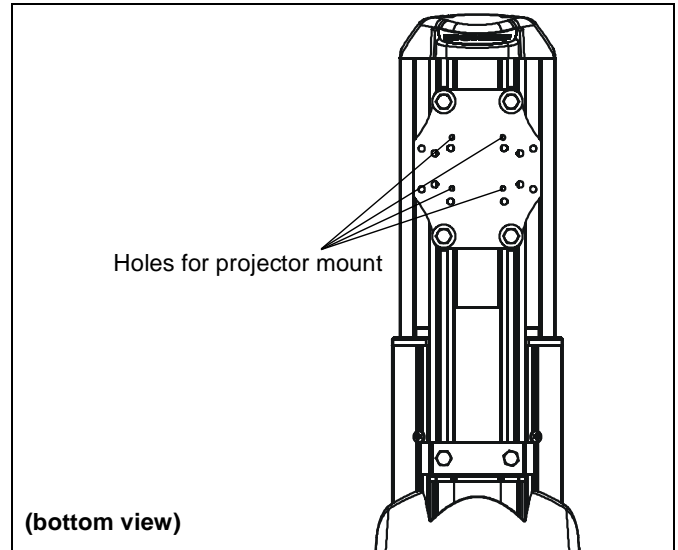


Figure 14

### Projector Mount Installation

1. Line up mounting holes on projector mount (E) with corresponding holes on mounting plate. (See Figure 14)
2. Install four #10-24 x 1-3/8" Phillips pan machine screws (W) through projector mount holes and into mounting plate. (See Figure 15)

**IMPORTANT ! :** If projector mount is NOT installed in the same direction as shown, ROLL adjustment screws will be inaccessible! (See Figure 15)

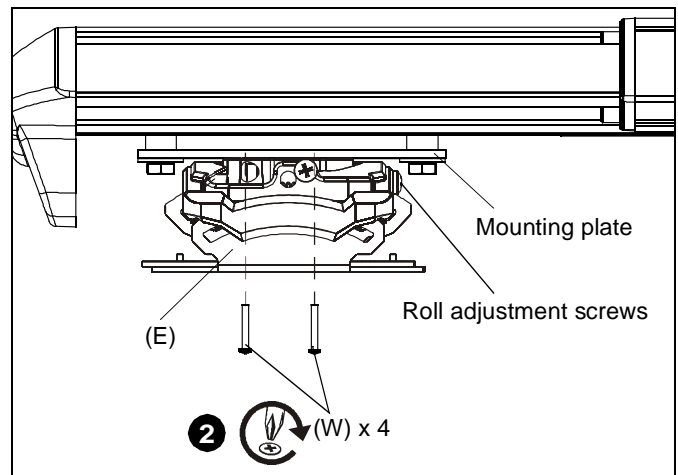


Figure 15

## Projector Installation to Mount



**WARNING:** IMPROPER INSTALLATION CAN LEAD TO PROJECTOR FALLING RESULTING IN SERIOUS PERSONAL INJURY OR DAMAGE TO EQUIPMENT. DO NOT substitute hardware. Use only the hardware provided by the manufacturer.

1. Secure interface bracket (AA) to top of InFocus projector (not included) using hardware and instructions included with the interface bracket.
2. Orient projector with attached interface bracket as shown. (See Figure 16)
3. Lift projector so that screws with thumb nuts are aligned with mounting slots in mount base. (See Figure 16)
4. Slide projector with interface bracket onto mounting slots in projector mount (F) until screws are seated against the back of mounting slots. (See Figure 16)

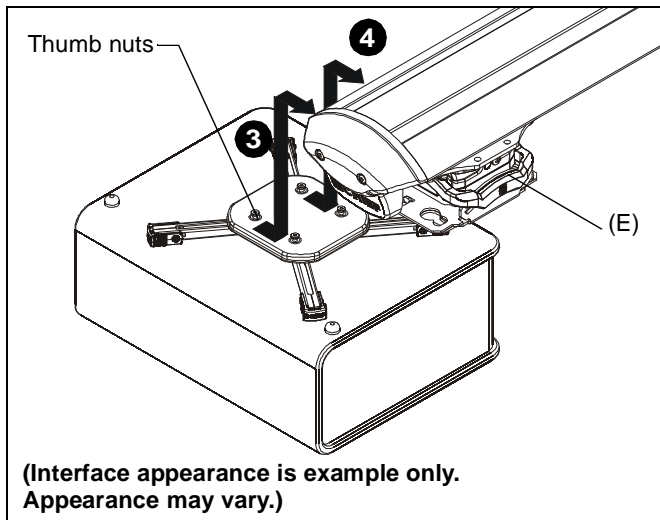


Figure 16



**WARNING:** IMPROPER INSTALLATION CAN LEAD TO PROJECTOR FALLING RESULTING IN SERIOUS PERSONAL INJURY OR DAMAGE TO EQUIPMENT. Make certain mounting slots in projector mount slide under thumb screws and that screws are seated in the back of slots.

5. Verify mounting screws are properly seated in mounting slots in projector mount. (See Figure 17)
6. Move locking lever to "locked" position. (See Figure 17)
7. Insert key into lock and turn to secure projector to mount. (See Figure 17)

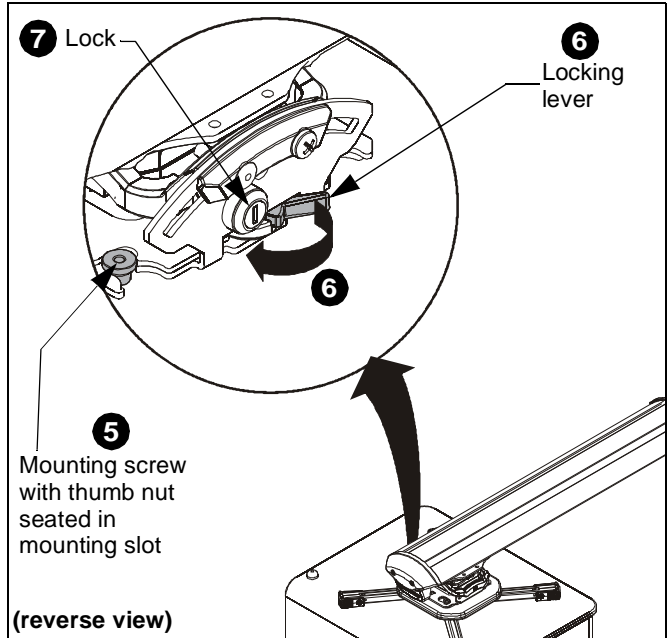


Figure 17

## Projector Mount Adjustments

### Yaw Adjustment

1. Loosen yaw adjustment locking screw using a #2 Phillips screwdriver. (See Figure )
2. Turn Yaw micro-adjustment screw right or left using a #2 Phillips screwdriver until image is properly aligned on target. (See Figure )
3. Tighten Yaw adjustment locking screw using a #2 Phillips screwdriver. (See Figure )

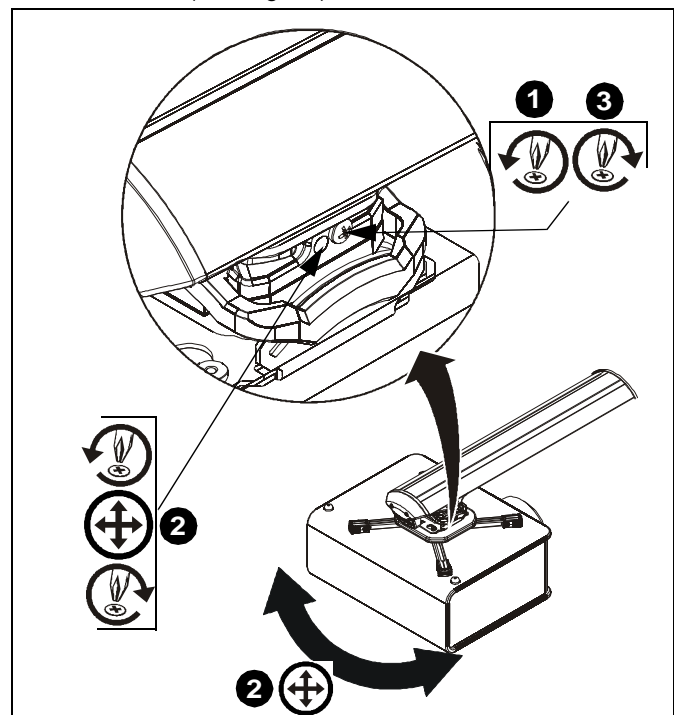


Figure 18

**Pitch Adjustment**

**NOTE:** Pitch can be adjusted using the projector mount or the pitch of the entire arm can be adjusted. See **Pitch Adjustment - Entire Arm** section for details.

1. Loosen Pitch adjustment locking screw using a #2 Phillips screwdriver. (See Figure 19)
2. Turn Pitch micro-adjustment screw right or left using a #2 Phillips screwdriver until image is properly aligned on target. (See Figure 19)
3. Tighten Pitch adjustment locking screw using a #2 Phillips screwdriver. (See Figure 19)

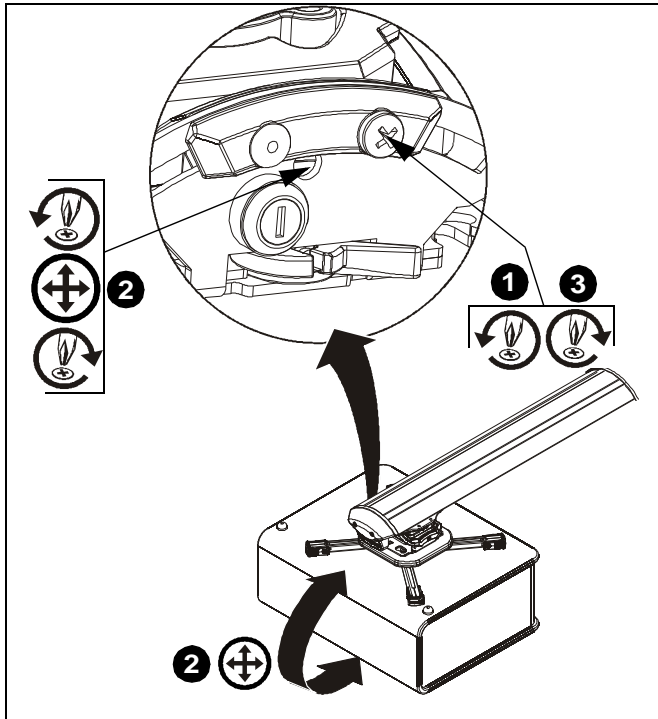


Figure 19

**Roll Adjustment**

1. Loosen ROLL adjustment locking screw using a #2 Phillips screwdriver. (See Figure 20)
2. Turn ROLL micro-adjustment screw right or left using a #2 Phillips screwdriver until image is properly aligned on target. (See Figure 20)
3. Tighten ROLL adjustment locking screw using a #2 Phillips screwdriver. (See Figure 20)

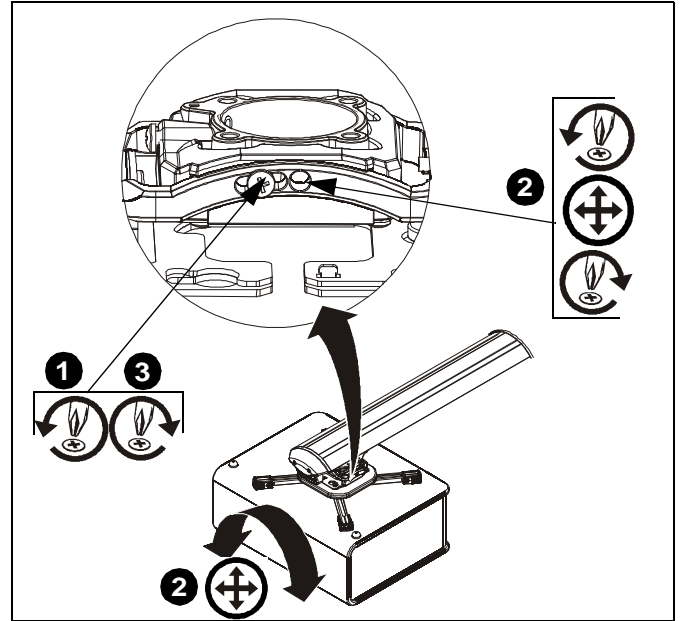


Figure 20

**Removing Mount Covers**

1. Remove two #8 x 1/2" Phillips pan tapping screws (U) and two #10 x 1" Phillips pan tapping screws (V) to free top cover (C) and expose pitch adjustment screw. (See Figure 21)
2. Remove lower cover (D) from PRJ-WALLKIT-11. (See Figure 21)

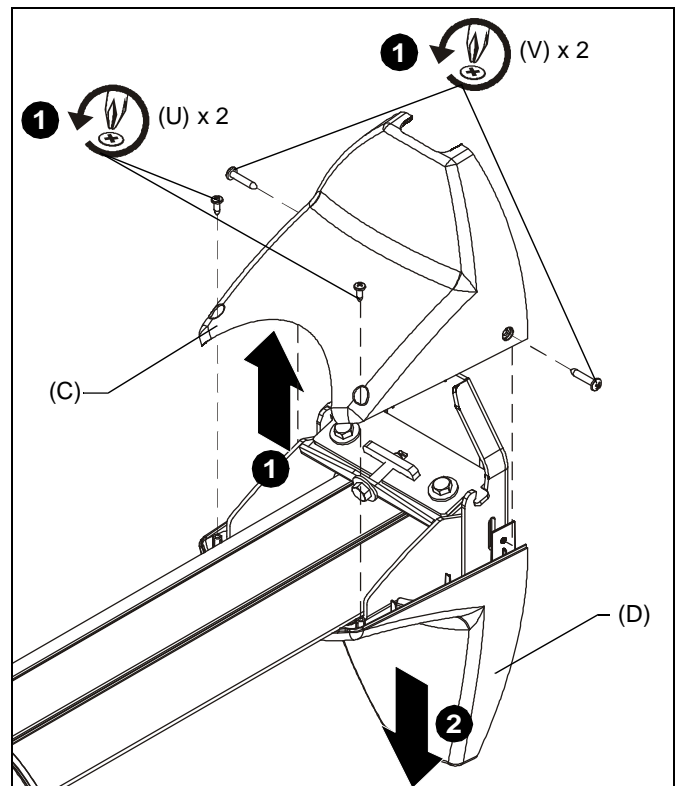


Figure 21

### Pitch Adjustment - Entire Arm

1. Loosen two 5/16-18 x 1/2" hex head screws (T) (one on each side of wall bracket). (See Figure 22)
2. Loosen two bolts (one on each side of pitch adjustment screw). (See Figure 22)
3. Adjust pitch adjustment screw until mount is at desired pitch level.
  - Turn **clockwise** to raise mounting level.
  - Turn **counterclockwise** to lower mounting level. (See Figure 22)
4. Tighten two bolts (one bolt on either side of pitch adjustment screw). (See Figure 22)
5. Tighten two 5/16-18 x 1/2" hex head screws (T) (one on each side of mounting bracket). (See Figure 22)

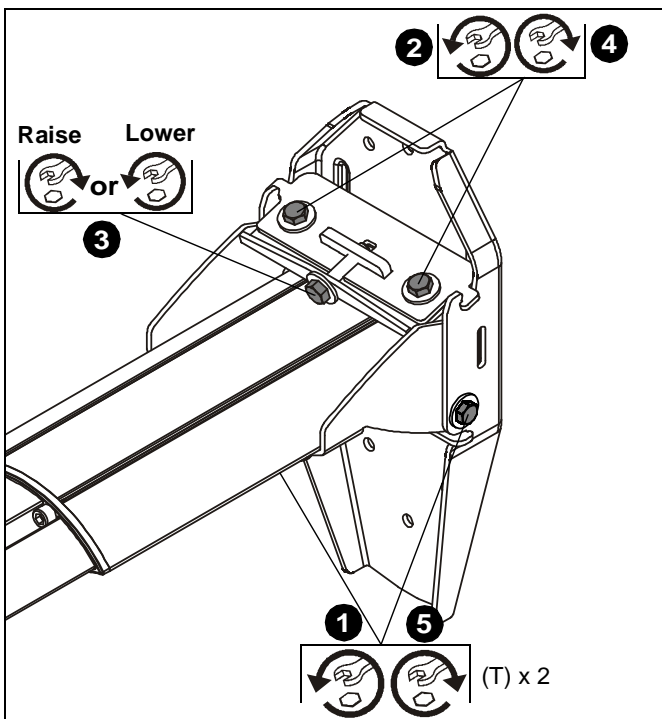


Figure 22

6. Return mount covers to the mount following instructions in **Installing Mount Covers** section.

### Cable Management (Optional)

**NOTE:** In most cases, the cable management cover will NOT need to be removed in order to route cables from projector to the wall mount. But for some thick cables, removing the cover may be necessary.

**NOTE:** Remove mount covers from the mount following instructions in **Removing Mount Covers** section.

1. Remove cable management covers (if necessary) from short throw projector arm. (See Figure 23)

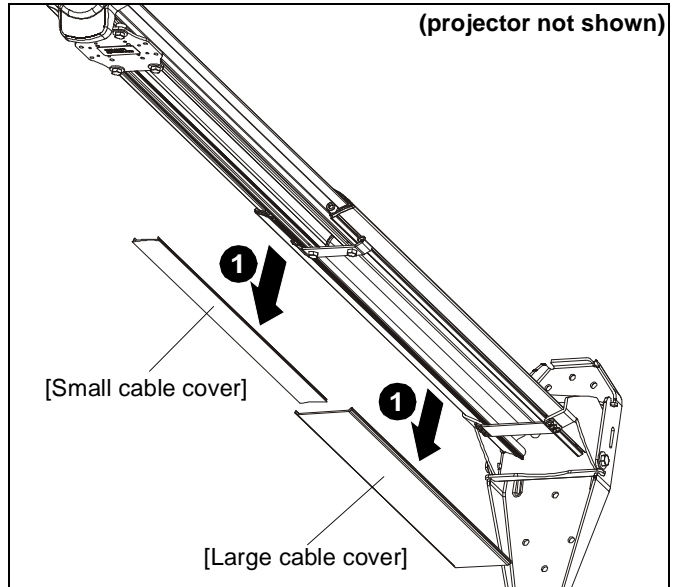


Figure 23

2. Route projector cable(s) under mount cover and through short throw projector arm tunnel. (See Figure 24)

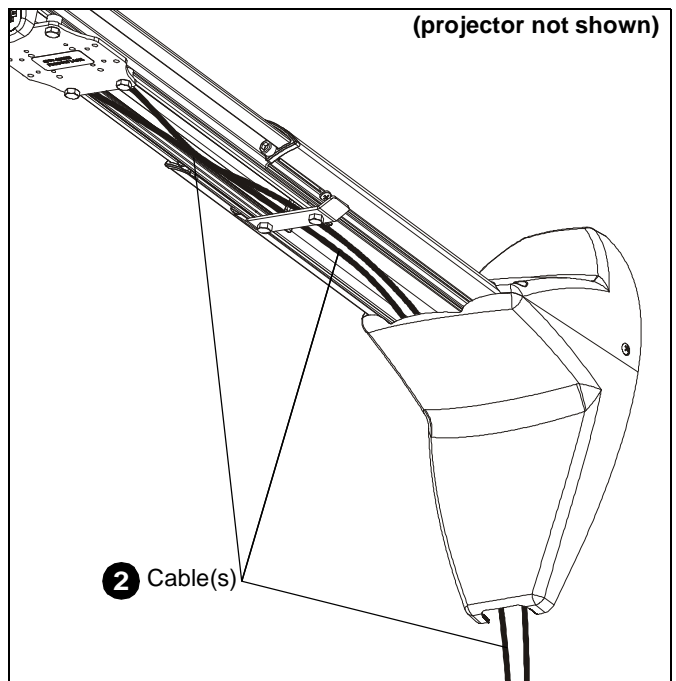


Figure 24

3. **(Optional)** Cables can be tied to inside of projector's front cover using cable ties (not included). Route cables near front cover and wrap cable tie through slots on front cover and around cables. (See Figure 25)

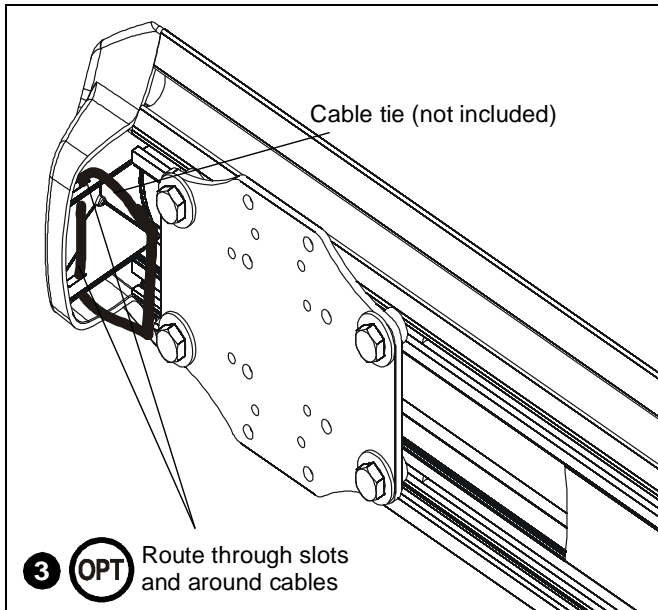


Figure 25

4. Replace removed cable management covers (if necessary). Insert one side of cover into groove and press firmly on the cover on the other side until it snaps into the other groove. (See Figure 26)

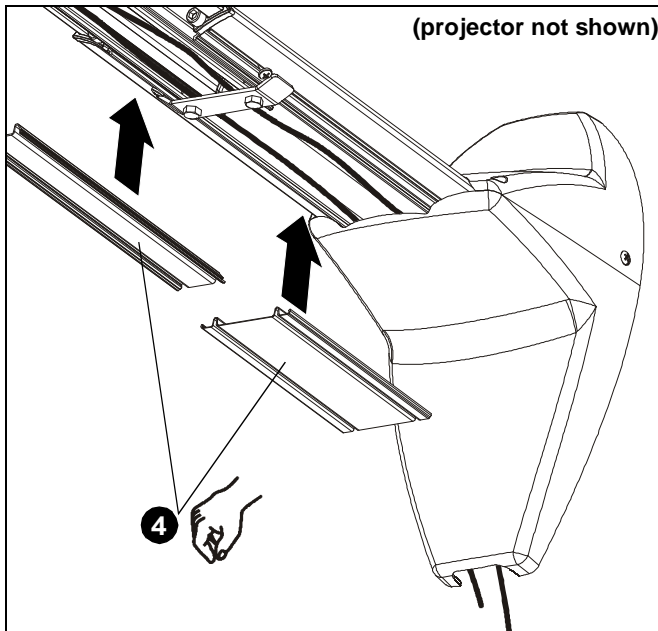


Figure 26

5. Return outer covers to the mount following instructions in **Installing Mount Covers** section.

**Extension Adjustment**

1. Loosen two bolts holding stop bracket in place on underside of short throw projector mount. (See Figure 27)
2. Adjust mount to desired extension length. (See Figure 27)
3. Tighten two bolts holding stop bracket to secure mount in desired position. (See Figure 27)

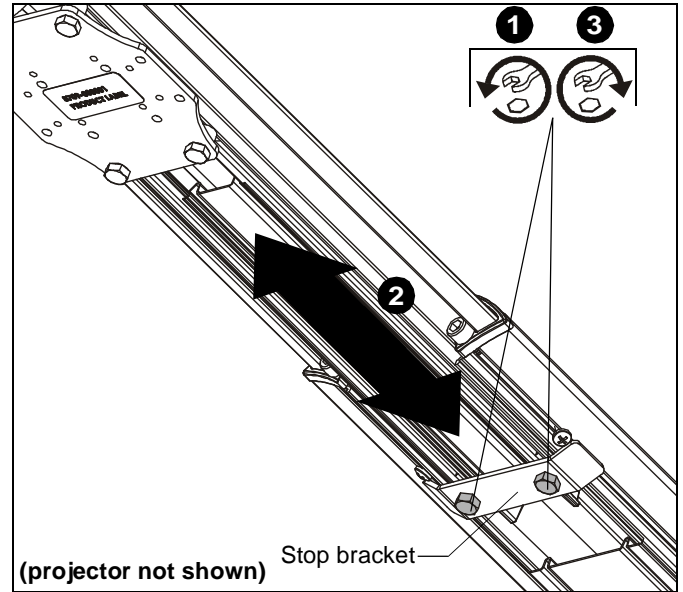


Figure 27

**Security Screw Installation (Optional)**

1. Remove two #8 x 1/2" Phillips screws (U) and two #10 x 1" Phillips screws (V) from top and lower covers. (See Figure 28)
2. Install two 8-32 x 1/2" buttonhead security screws (J) and two 10-24 x 1" buttonhead security screws (M) into top and lower covers. (See Figure 28)

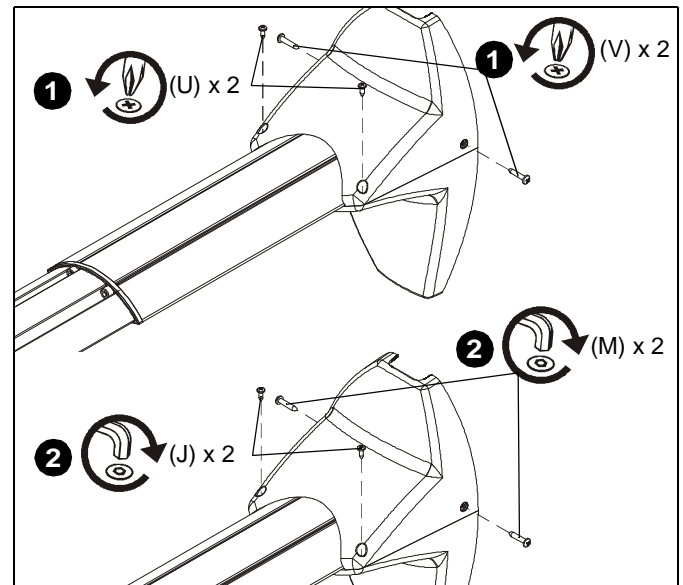


Figure 28



- Remove two bolts holding stop bracket in place on underside of short throw projector mount. (See Figure 29)

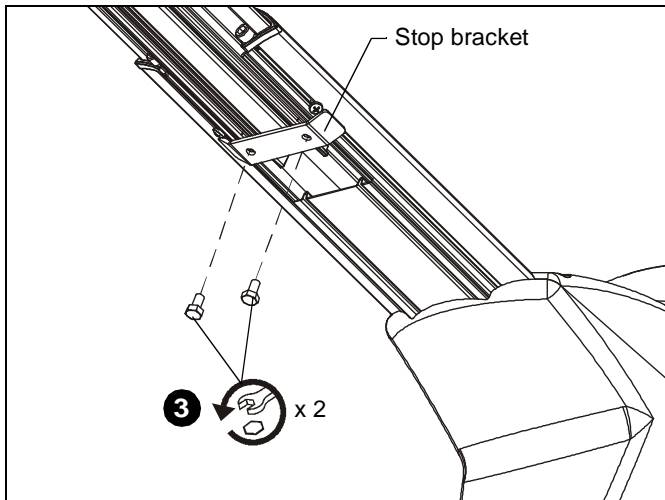


Figure 29

- Install two 1/4-20 x 1/2" button head security screws (K) through holes in stop bracket and into holes in sliding nuts. (See Figure 30)

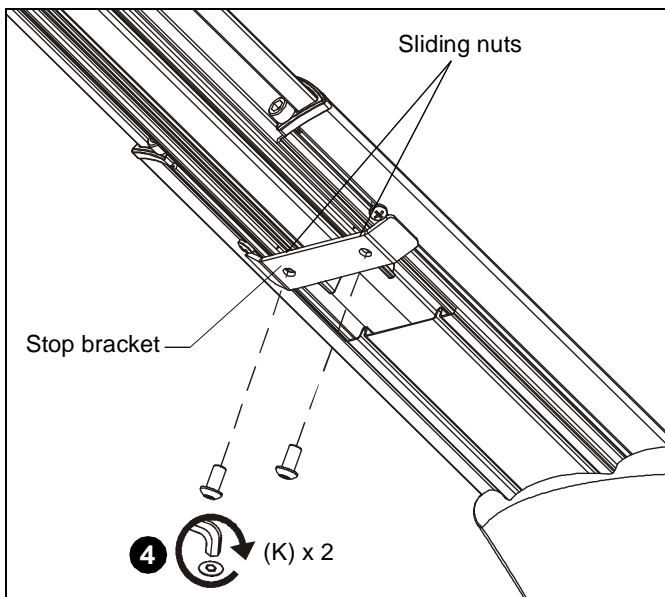


Figure 30

- (Optional)** Remove projector from short throw projector mount according to projector interface instructions.

**NOTE:** For most projectors, it will be necessary to remove projector prior to install four security screws to projector bracket. For ease of installation, it is recommended to remove projector prior to performing the following steps.

- Remove one of four bolts from adapter plate. (See Figure 31)

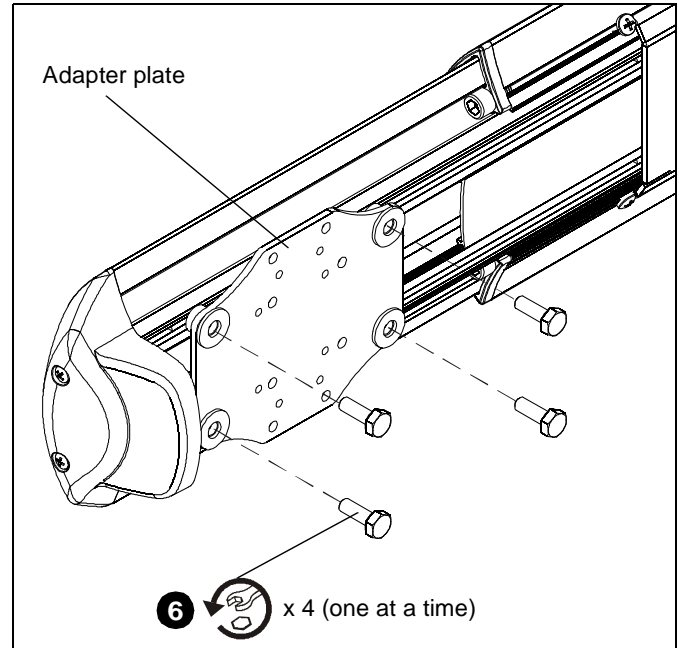


Figure 31

- Install one 1/4-20 x 3/4" button head security screw (L) into hole vacated by removing bolt in Step 6 and into plastic spacer. (See Figure 32)
- Repeat Steps 6-7 for remaining three bolts one bolt at a time.
- It is important to replace adapter plate bolts **ONE AT A TIME** or adapter plate could fall from mount during installation!

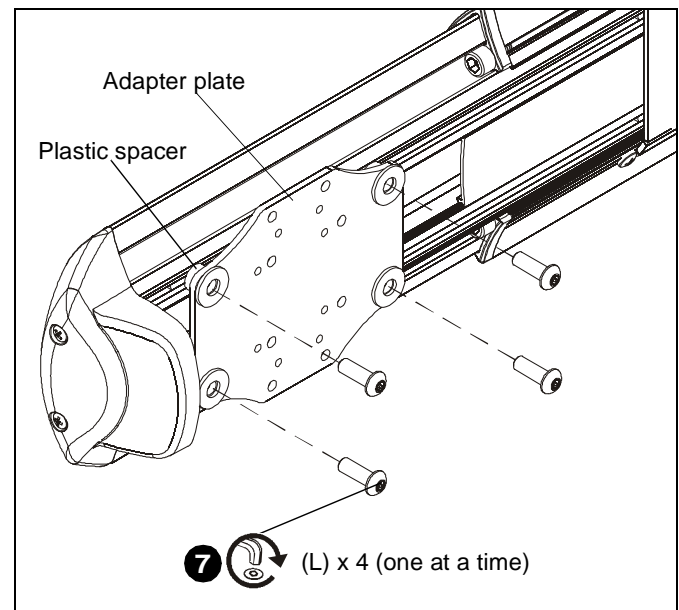


Figure 32

- Reinstall projector to mount. Refer to **Projector Installation** section for details.



**InFocus**

8800-002228 Rev00  
©2012 InFocus Corporation  
[www.infocus.com](http://www.infocus.com)  
09/12

**InFocus Corporation**

13190 SW 68th Parkway, Ste 200  
Portland, OR 97223

